

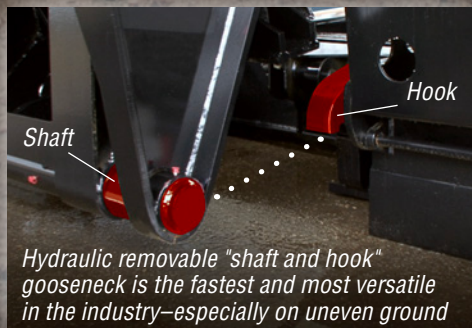
MAGNITUDE™ 60LCC

60LCC-FLD Close coupled • Flat Level Deck • Fixed bogie lowbed



Built Magnitude Tough!

- 60 tons in 13 ft. with 102" swing & 4 axles close coupled
55 tons in 16 ft. with 125" swing & 3+1 EQ1
(GAWR and tire ratings determine legal payloads)
- Fastest, most versatile hydraulic removable gooseneck in the industry ...
You can connect or disconnect on uneven ground!
- 7-Position gooseneck ride height control for additional up/down clearance at front of deck
- 18" loaded deck height with 6" ground clearance
- 102" swing radius for easy maneuverability with alternate kingpin location at 81" for local compliance
- Generous 26 ft. clear deck length handles bigger loads for greater hauling versatility
- Boom trough with V-pan in bogie helps you get under bridges
- 5-Position mechanical ride height control system and dump valve for added convenience
- LED lights, strobes, and D-rings are all standard to give you more trailer for your money

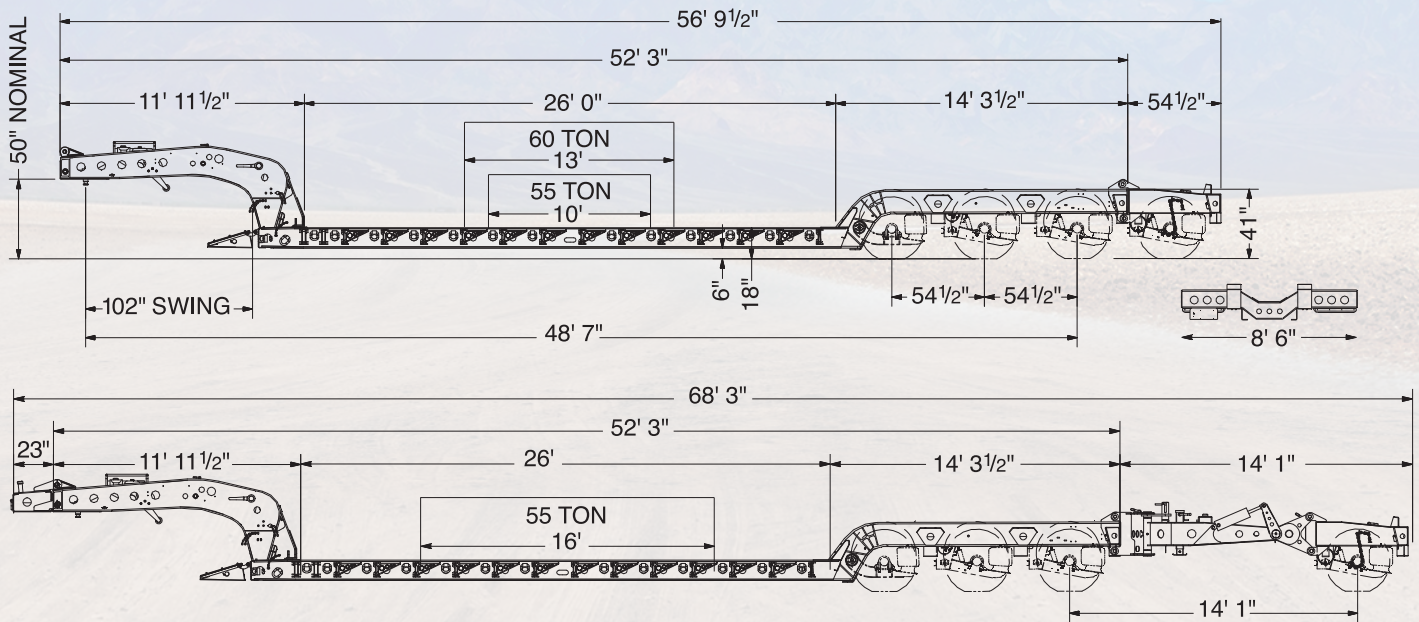


www.fontaineheavyhaul.com

Fontaine Heavy-Haul • 5398 US Highway 11 • Springville, AL 35146 • 205-467-6171

Weights shown are without options • Photos may show some optional equipment • Specifications subject to change without notice

Fontaine Magnitude® 60LCC Specifications



CAPACITY

- 60 tons in 13 ft. with 102" swing & 4CC axles
- 55 tons in 16 ft. with 125" swing & 3+1 EQ1
- 55 tons in 10 ft. with 102" swing & 4CC axles (GAWR and tire ratings determine legal payloads)

MAIN BEAMS

- All main longitudinal members fabricated with 100 KSI minimum yield steel flanges with 50,000 lb. webs

OPTIONAL ATTACHMENTS

- Set up to accept:
 - Flip neck*
 - 302 Jeep*
 - Flip axle
 - EQ1* or rigid spreader*
 - *55 ton max rating only

GOOSENECK FEATURES

- Hydraulic removable non-ground bearing
- 7-Position front ride-height adjustments with dual cam pawl for additional options
- 50" loaded fifth wheel height
- 102" swing radius with removable kingpin
- Optional 81" alternate kingpin location
- Set up for wet line operation (optional 13 HP gasoline powered APU)
- J560 7-pin electrical connector

DECK FEATURES

- 8' 6" overall width (9' width option on 26' deck)
- 26' clear deck length (25', 27' optional)
- 18" loaded deck height with 6" ground clearance
- 2" apitong flooring on side rails
- Two fully covered tool box trays with lockable covers in front of deck between mainbeams
- Manual front approach ramps standard

DECK FEATURES (continued)

- Extension brackets:
 - 13 pair (26 total) removable swing type
 - 2 pair (4 total) heavy-duty removable hook-on type
- Last three deck crossmembers recessed
- Hammer plate installed over recessed crossmembers (perforated plate underneath forms two storage areas)
- Fixed deck to bogie connection

BOGIE FEATURES

- 3 axle air ride bogie (dust shield option available)
- 25,000 lbs. nominal capacity per axle (GAWR determined by suspension type, brakes, tires and other components)
- Axle spread: 54.5" between axle centers (60" axle spread optional)
- Recessed load bearing bolsters between all axles and rear of last axle
- Optional load bearing wheel covers
- 25,000 lbs. capacity air-ride suspension per axle
- Optional 30,000 lbs. air-ride suspension
- Air lift third axle standard/Chain lift first axle optional
- 5-Position mechanical ride-height control system
- Manual dump valve (Push/Pull)

BOGIE FEATURES (continued)

- V-style boom trough with bolt-in V pan
- Heavy duty V-style rear bumper
- Rear Bogie Height: 41" to top flange, 37" to top of bolsters
- Bogie width: 8' 6"

BRAKES

- Heavy-duty brake drums, outboard mount
- Quick change replacement feature
- Automatic slack adjusters
- Optional ABS

WHEELS/TIRES

- Wheels: 8.25 x 22.5 steel disc, hub-piloted (optional aluminum wheels)
- Tires: 275/70R 22.5 H ply OEM Standard

ELECTRICAL SYSTEM

- Sealed harness for maximum corrosion resistance
- DOT sealed beam with LED lights
- 4" flush mounted, battery powered amber strobes

PROTECTIVE COATING

- Highest quality 2-part polyurethane enamel fights corrosion to extend the life of your trailer
- Primed for better paint adhesion

LASH RINGS

- 38 total D-Rings; 16 pair bent type for longer chain life and better securement

FLAG HOLDERS

- Located at front of deck and on rear bumper

ESTIMATED EMPTY WEIGHT W/O OPTIONS

- 24,400 lbs. ± 3%



Specifications subject to change without notice.

Photos show some optional equipment.

www.fontaineheavyhaul.com

Fontaine Heavy-Haul • 5398 US Highway 11 • Springville, AL 35146 • 205-467-6171

Weights shown are without options • Photos may show some optional equipment • Specifications subject to change without notice